

HOW TO MEASURE GENIEGRIPS®



STEP 1:

Measure Length

Measure top of tyne from the front of the shaft to the tip.

Length = _____ inches

STEP 2:

Measure Width

Measure top of tyne at widest part (closest to the shaft).

Note: Measuring towards the back of tyne ensures we have the maximum width and thickness.

Width = _____ inches

STEP 3:

Measure Thickness

Measure thickest part of tyne (closest to the shaft).

Thickness = _____ inches



STEP 4:

Measure Tip Height

Measure front tip of tyne.

Tip = _____ inches

STEP 5:

Measure Front Width

Measure front end of tyne. (to allow for GenieGrips® Caps)

Width = _____ inches

Turn overleaf to complete all measurements



IMPORTANT: Fork Tyne Clearance

"When picking up goods, there must be sufficient clearance above Mats when installed (1.2 inches recommended) to ensure they do not scrape or buckle by forcing against load – see picture on left.

Please refer to our clearance Tolerance Tables on the GenieGrips® website. Licensed forklift drivers must also enter the pallet at a 90 degree angle."

HOW TO MEASURE GENIEGRIPS®



STEP 6:
Measure Vertical Thickness
 Measure thickness of tyne shaft.

Thickness = _____ inches

STEP 7:
Measure Blade Curve
 Measure thickness of tyne at the 90 degree angle / bend.

Thickness = _____ inches

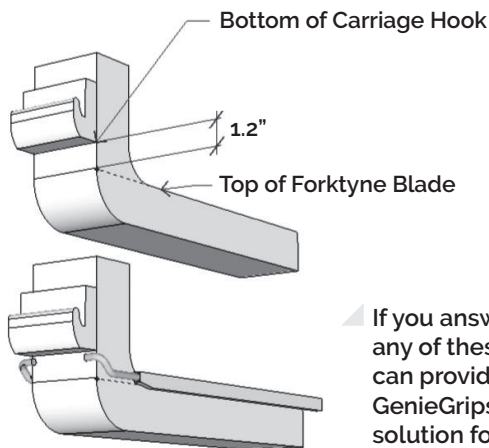
STEP 8:
Measure Hook Clearance
 Measure distance between top of tyne and bottom of the carriage hook (see diagrams below).

Clearance A = _____ inches
 OR
 Clearance B = _____ inches

CARRIAGE HOOK TYPES:

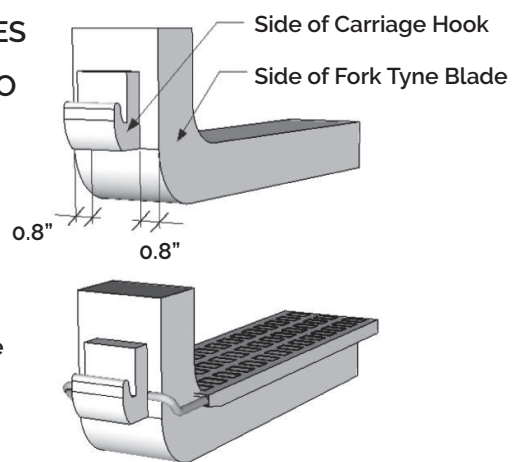
TYPE A - is the bottom of the Carriage Hook 1.2 inches above the top surface of the Forktyne Blade?

- YES
- NO



TYPE B - is there 0.8 inches clearance between the side of the Carriage Hook and the side of the Forktyne Blade?

- YES
- NO



▲ If you answered "NO" to any of these questions, we can provide an alternative GenieGrips® Mat Heel Clip solution for you.



STEP 9:
Measure Back Height
 Measure from top of tyne blade to top of tyne shaft.

Height = _____ inches

STEP 10:
Measure Back Width
 Measure width of tyne shaft.

Width = _____ inches

HELPFUL HINT:

"The measurements of Carriage Hook height is imperative as the GenieGrips® Mats need space for the heel hooks to fit securely behind tyne."