

# HOW TO MEASURE GENIEGRIPS®



## STEP 1:

### Measure Length

Measure top of tyne from the front of the shaft to the tip.

Length = \_\_\_\_\_ mm

## STEP 2:

### Measure Width

Measure top of tyne at widest part (closest to the shaft).

*Note: Measuring towards the back of tyne ensures we have the maximum width and thickness.*

Width = \_\_\_\_\_ mm

## STEP 3:

### Measure Thickness

Measure thickest part of tyne (closest to the shaft).

Thickness = \_\_\_\_\_ mm



## STEP 4:

### Measure Tip Height

Measure front tip of tyne.

Tip = \_\_\_\_\_ mm

## STEP 5:

### Measure Front Width

Measure front end of tyne. (to allow for GenieGrips® Caps)

Width = \_\_\_\_\_ mm

**Turn overleaf to complete all measurements**



## IMPORTANT: Fork Tyne Clearance

*"When picking up goods, there must be sufficient clearance above Mats when installed (30mm recommended) to ensure they do not scrape or buckle by forcing against load – see picture on left.*

*Please refer to our clearance Tolerance Tables on the GenieGrips® website. Licensed forklift drivers must also enter the pallet at a 90 degree angle."*

# HOW TO MEASURE GENIEGRIPS®



**STEP 6:**  
**Measure Vertical Thickness**  
 Measure thickness of tyne shaft.

Thickness = \_\_\_\_\_ mm

**STEP 7:**  
**Measure Blade Curve**  
 Measure thickness of tyne at the 90 degree angle / bend.

Thickness = \_\_\_\_\_ mm

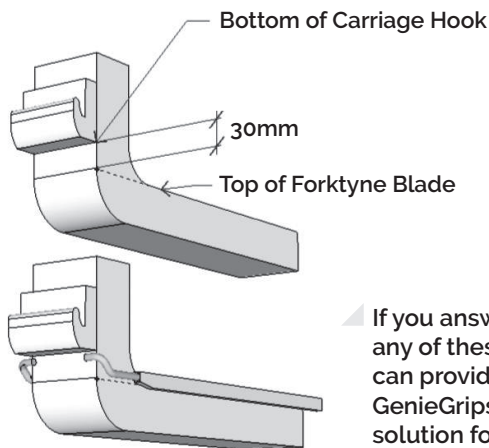
**STEP 8:**  
**Measure Hook Clearance**  
 Measure distance between top of tyne and bottom of the carriage hook (see diagrams below).

Clearance A = \_\_\_\_\_ mm  
 OR  
 Clearance B = \_\_\_\_\_ mm

**CARRIAGE HOOK TYPES:**

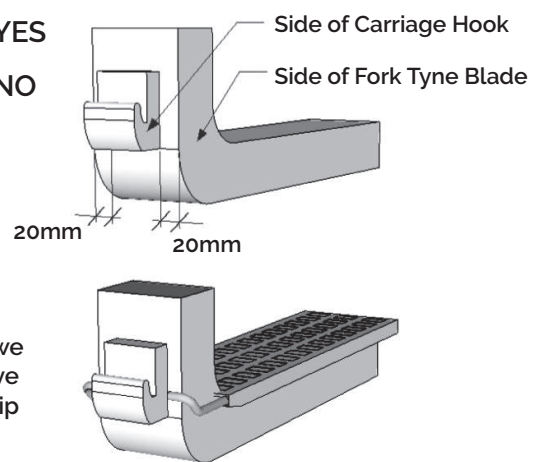
**TYPE A** - is the bottom of the Carriage Hook 30mm above the top surface of the Forktyne Blade?

- YES
- NO

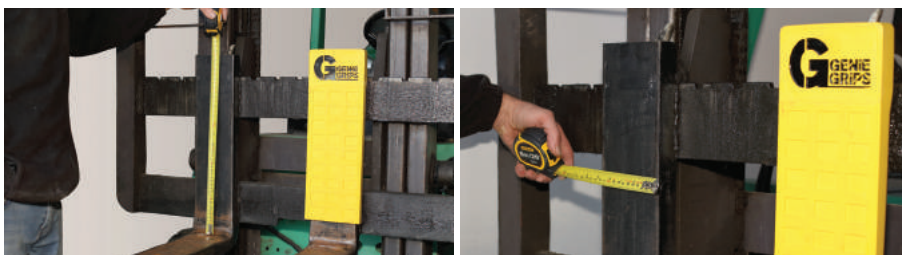


**TYPE B** - is there 20mm clearance between the side of the Carriage Hook and the side of the Forktyne Blade?

- YES
- NO



▲ If you answered "NO" to any of these questions, we can provide an alternative GenieGrips® Mat Heel Clip solution for you.



**STEP 9:**  
**Measure Back Height**  
 Measure from top of tyne blade to top of tyne shaft.

Height = \_\_\_\_\_ mm

**STEP 10:**  
**Measure Back Width**  
 Measure width of tyne shaft.

Width = \_\_\_\_\_ mm

**HELPFUL HINT:**  
*"The measurements of Carriage Hook height is imperative as the GenieGrips® Mats need space for the heel hooks to fit securely behind tyne."*